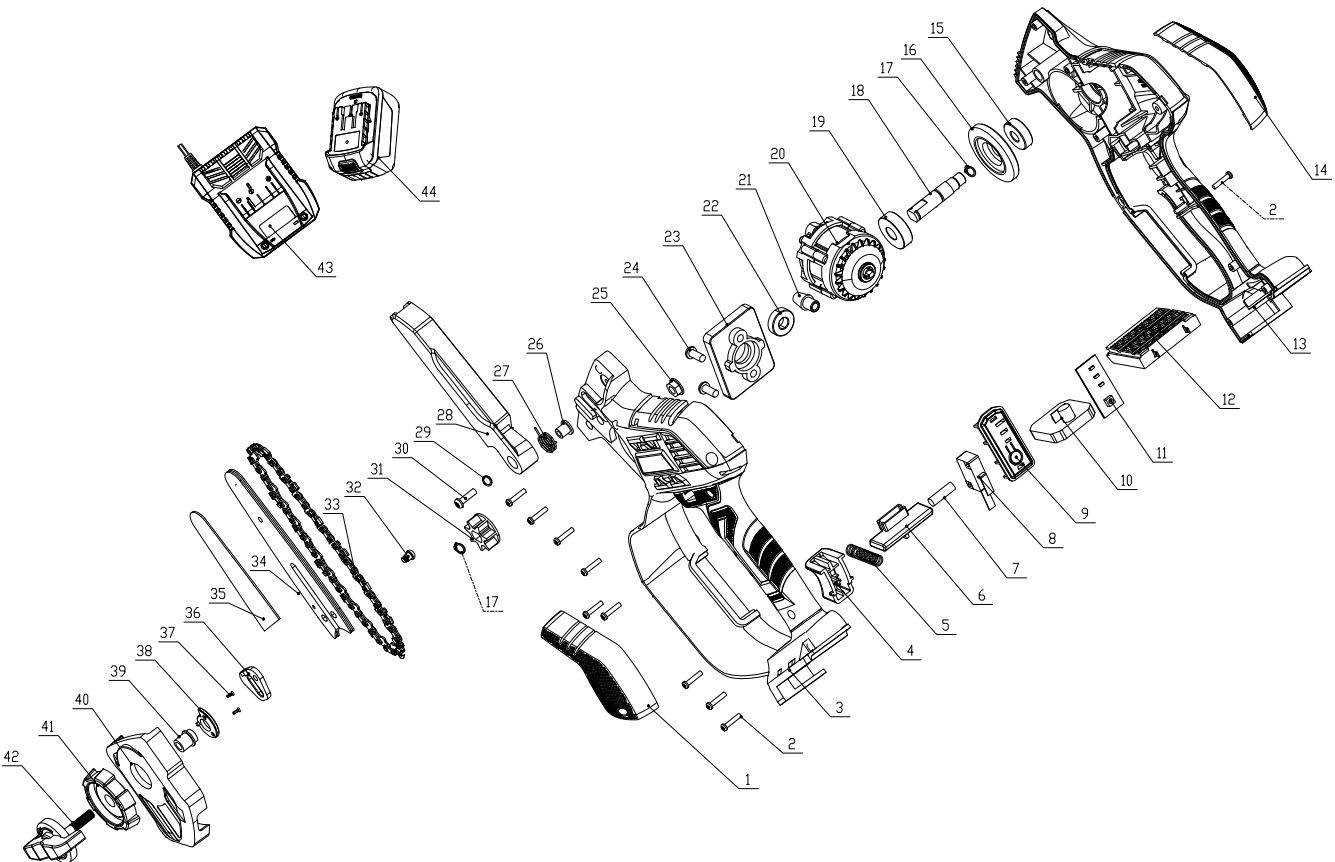


Exploded Drawing of RDP-SBGP20



Spare part list of RDP-SBGP20

<b>№</b>	<b>Description</b>	<b>pcs</b>	<b>№</b>	<b>Description</b>	<b>pcs</b>
1	Left decoration cover	1	23	motor fixing plate	1
2	screws 3x14	11	24	screws M5x10	2
3	Left housing	1	25	nut M6	1
4	Trigger	1	26	sleeve	1
5	brake spring	1	27	protect spring	1
6	anti-self lock button	1	28	protect cover	1
7	Rotated pushing rod spring	1	29	flat washer	1
8	Micro-switch	1	30	screws 4x16	1
9	Light indicator plate	1	31	sproket	1
10	PCB board	1	32	bar screw	1
11	Light indicator PCB	1	33	saw chain	1
12	Foot seat	1	34	guide bar	1
13	right housing	1	35	bar cover	1
14	right decoration cover	1	36	block	1
15	bearing 608	1	37	screw 3x10	2
16	big gear	1	38	cam	1
17	Retainer ring	2	39	adjusting sleeve	1
18	output shaft	1	40	sproket cover with SDS	1
19	bearing 6000	1	41	adjusting knob	1
20	Motor brushless	1	42	press knob	1
21	small gear	1	43	charger	1
22	bearing 698	1	44	battery	1